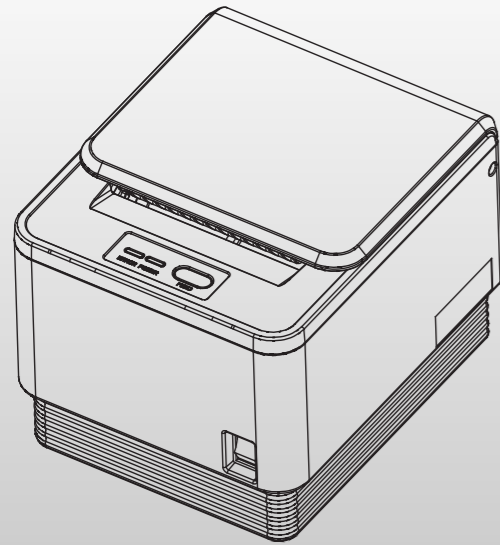


# Printer Installation Guide



## Thermal Receipt Printer A7

Printing Method	3" Jam-free direct thermal	
Printing Speed	170 mm/sec max	
Dot Density (DPI)	203.2 DPI	
Dot Pitch (mm)	0.125*0.125 mm	
Effective Printing Width	72mm, 576dots	
Printing Direction	Unidirectional with friction feed	
Character/Line	Font A	(12*24) 42 columns
	Font B	(10*20) 56 columns
Paper	Type	Thermal paper
	Width	79.5mm (±0.5mm)
	Thickness	0.07mm
	Roll diameter	83Ømm
Reliability	TPH Life	100km
	MCBF	60,000,000 lines
Character/Set	Alphanumeric character	95
	Extended graphic	128 x 35 page
Barcode	EAN-8, EAN-13, CODE39, CODE93, CODE128, ITF, UPC-A, UPC-E, CODABAR	
Emulation	ESC/POS command compatible	
Driver	Windows / OPOS	
Interface	Serial / USB	
Power	24 VDC / 2.5A	
Data Buffer	4 Kbyte	
Cutting	Life	700,000 cuts
	Cutting method	Partial cut / Full cut
Temperature	Operation	0 ~ 40°C
	Storage	-20 ~ 60°C

[ Note ]  
 \* 1) Maximum printer speed is dependent on the data transmission speed from the main terminal.  
 \* 2) The above specifications are calculated while printing under low power, at average room temperature and using the recommended paper. These values may vary under alternative conditions.  
 \* 3) Printing quality can be affected by loud noises from outside sources.

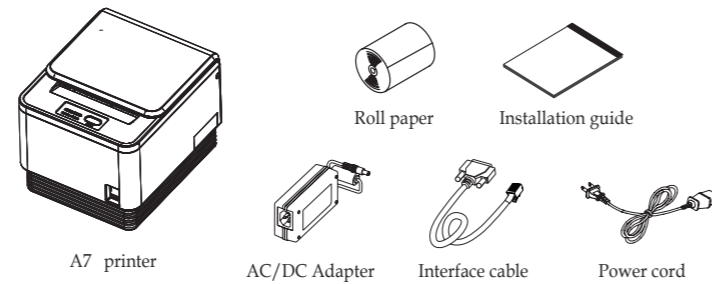
## Features

- Versatile & adaptable applications
- Paper Jam-free type printing
- Easy paper loading
- Auto-cutter
- RS232/USB interfaces
- Internal buzzer / Melody box extension compatibility
- High performance CPU
- High resolution printing (up to 203dpi)
- ESC command plus Windows/OPOS driver support
- Epson/Star cash drawer emulation via DIP switch

\* It is recommended that this product only be used with the adapter supplied. POSBANK accepts no liability for any damage caused as a result of using any other adapter.

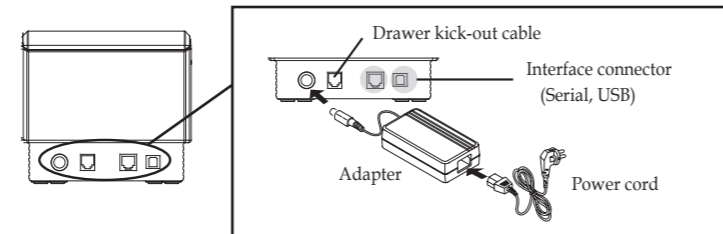
## In the box

After unpacking the box, make sure all items shown below are in the box.

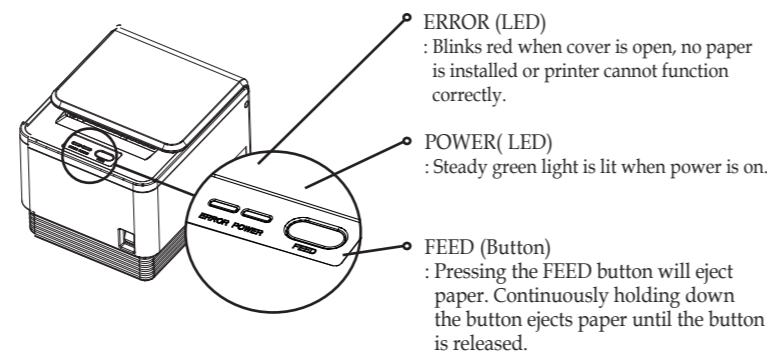


## Connecting the cables

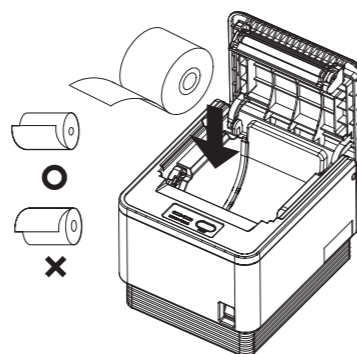
- Ensure that both the printer and host terminal are switched off.
- Connect the power cable by first pulling back on the locking mechanism and inserting into the printer's interface.
- Connect to the power outlet using the adapter provided.
- Connect the printer to the main terminal using the interface cable provided. Ensure that all connections are correct and firmly secured.
- If using a cash drawer, connect to the printer's interface using a drawer kick-out cable.



## Control Panel



## Installing the paper roll



- Push down on the level to the left side of printer to open the cover.
- Switch off the power.
- Remove any paper remaining inside the printer and insert a new paper roll, ensuring that the loose paper is to the bottom. (as shown in the diagram)
- Pull the end of the paper outside the machine and close the cover, ensuring that the cover is locked properly into place.
- Switch the power back on.

[Note]  
 When closing the cover, press down on the center of the cover to ensure the paper is in contact with the roller.

## Printer settings

The printer properties (baudrate, density etc.) can be changed from the printer's 'Setting mode'.

To enter 'Setting mode' :

- Switch off the printer.
- Ensure that the paper roll is inserted properly and the end of the roll is outside the printer with the cover securely fixed.
- While holding down the FEED button, switch on the power.
- The printer's 'Self-test' will begin.
- Information about the printer's current state will be printed.
- After 5 seconds without releasing the FEED button, the printer will enter 'Setting mode'.
- The following properties available to be set will be printed:

\*\*\* Setting Mode \*\*\*

Interface : Serial

- Step by Step
- Serial Baudrate
- Serial Handshaking
- Error Sound
- Density
- Auto Cut
- Auto Cut Mode
- Code Page

\* The following table shows the available options for each property in 'Setting mode'.

No	Function	Button count	Setting	Default
1	Step by Step		Set in order	
2	Serial Baudrate	1	2400 BPS	9600 BPS
		2	4800 BPS	
		3	9600 BPS	
		4	19200 BPS	
		5	38400 BPS	
		6	57600 BPS	
		7	115200 BPS	

No	Function	Button count	Setting	Default
3	Serial Handshaking	1	DTR/DSR	DTR/DSR
		2	Xon/Xoff	
4	Error Sound	1	No Sound	No Sound
		2	Internal Buzzer	
		3	External Buzzer	
5	Density	1	Low power	Low power
		2	Normal	
		3	Slightly	
		4	Dark	
		5	High Speed	
6	Auto Cut	1	Install	Install
		2	Disable	
7	Auto Cut Mode	1	Soft select	Soft select
		2	Full cut only	

For example,

To set the 'Serial baudrate' to 38,400bps:

- While in 'Setting mode', press the FEED button twice(2), as displayed on the print out, to enter the 'Serial baudrate' submenu.
- After 2 seconds, the following options will be printed:

Serial Baudrate :

- 2400bps
- 4800bps
- 9600bps
- 19200bps
- 38400bps
- 57600bps
- 115200bps

- Find the option that you wish to change the property to, in this instance '5 - 38400bps', and press the FEED button the corresponding number of times (i.e. five times).
- After 2 seconds, the new settings will be printed. in this instance:

Baudrate : 38400bps

\* To make any other changes to the printer's properties, please follow the method above.

## Language setting

To select the desired language, press the FEED button the corresponding number of times.

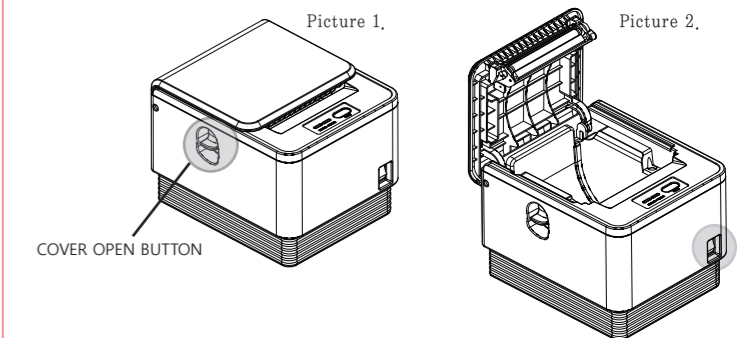
	Button count	CODE PAGE	LANGUAGE
Page 1	1	Next Code Page	
	2	CP-437	USA. Standard Europe
	3	Katakana	Japanese
	4	CP-850	Multilingual
	5	CP-860	Portuguese
	6	CP-863	Canadian-French
	7	CP-865	Nordic
	8	CP-1252	Latin I
	9	CP-866	Cyrillic Russian

	Button count	CODE PAGE	LANGUAGE
Page 2	1	Next Code Page	
	2	CP-852	Thailand character
	3	CP-858	Thailand character
	4	Thai-42	Thailand character
	5	Thai-11	Thailand character
	6	Thai-14	Thailand character
	7	Thai-16	Thailand character
	8	Thai-18	Thailand character
	9	CP-874	Thailand character

	Button count	CODE PAGE	LANGUAGE
Page 3	1	Next Code Page	
	2	CP-737	Greek
	3	CP-775	Baltic
	4	CP-855	Cyrillic
	5	CP-857	Turkish
	6	CP-861	Icelandic
	7	CP-862	Hebrew
	8	CP-864	Arabic
	9	CP-869	Greek II

	Button count	CODE PAGE	LANGUAGE
Page 4	1	CP-1251	Cyrillic
	2	CP-1253	Greek
	3	CP-1254	Turkish
	4	CP-1255	Hebrew
	5	CP-1256	Arabic
	6	CP-1257	Baltic
	7	CP-950	Traditional Chinese BIG 5
	8	CP-936	Simplified Chinese GBK
	9	CP-932	Japanese Shift-JIS
	10	CP-949	Korean

## Paper-jam



- In the event of a paper-jam, immediately stop printing.
- Open the top cover by pressing down on the 'COVER OPEN BUTTON' shown above.
- By opening the cover, the paper jam will be automatically resolved.
- If the paper jam is not correct by this method, please contact your dealer.