

AccuBANKER[®]
because your money counts **USA**



AB

User Guide

Automatic Strapping Machine

AS100

Thank you for purchasing this AccuBANKER product.
We recommend reading all information in the user guide to become familiar with this product.

AccuBANKER[®]
because your money counts **USA**

AccuBANKER and its logo are registered trademarks of Hilton Trading Corp. All Rights Reserved.

Table of Contents

1. Introduction	5
2. Box Contents	6
3. Before Starting	8
4. Operation Procedures	11
5. Troubleshooting	17
6. Maintenance	19
7. Specifications	20

Important Safety Instructions

- Read and understand all of the safety instructions.
- Follow all warnings and instructions marked on the unit.
- This product should never be placed near or over a radiator or heater register. This product should not be placed in a built-in installation unless proper ventilation is provided.
- This product should be operated only from the type of power source indicated in this user's guide. If you are not sure of the type of power supply in your location, consult your dealer or local power company.
- Never push objects of any kind into the unit through the case slots or openings, since they may touch dangerous voltage points or shortcut parts, resulting in a risk of fire or electric shock.
- Never spill liquids of any kind on the product.

Important Safety Instructions

- Unplug this product from the wall outlet and refer to servicing by qualified service personnel under the following conditions:
 - When the power supply cord or plug is damaged or frayed.
 - If liquid has been spilled into the unit.
 - If the unit has been exposed to rain or water.
 - If the unit does not operate normally while following the operating instructions, adjust only those controls that are covered by the operating instructions. Improper adjustment of other controls may result in damage and will often require extensive work by a qualified technician to restore the product to normal operation.
 - If the product has been dropped or the case has been damaged.
 - If the product shows a noticeable change in it's performance.

1. Introduction

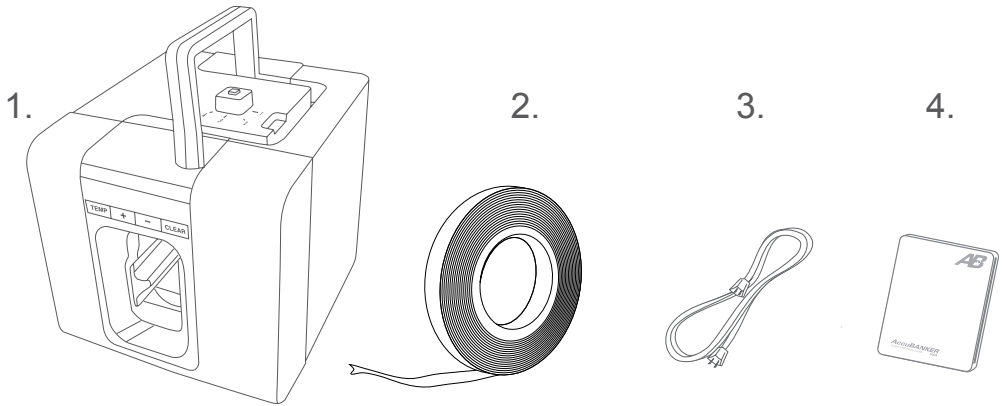
The AS-100 is a desktop banknote strapping machine designed for heavy use where high cash volume operations are required such as Banks, Vaults, ATM processing, Casinos etc.

Easy to use, fast, clean and very reliable are some features this unit meets, making easier subsequent cash handling operations like currency denomination identification, transporting and currency storage procedures all of these required in all financial institutions..

2. Box Content

When opening the box, verify all of the items described below are included. If any of them is damaged or missing, contact the place where the unit was purchased.

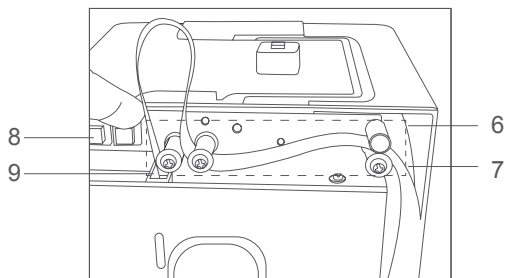
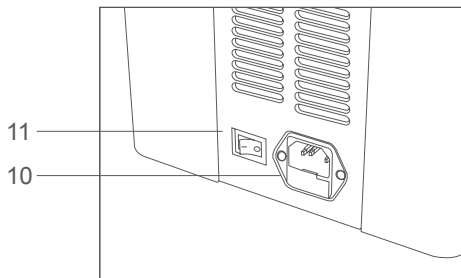
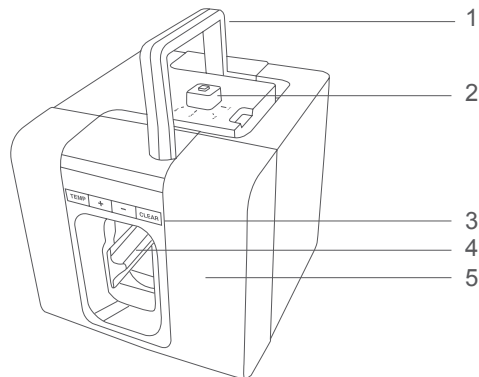
1. Strapping Machine
2. Strapping paper roll: 20 mm x 150 m / 0.75" x 490' (inside the unit)
3. Power Cord
4. User Guide and other documents



3. Before Starting

3.1 General Description

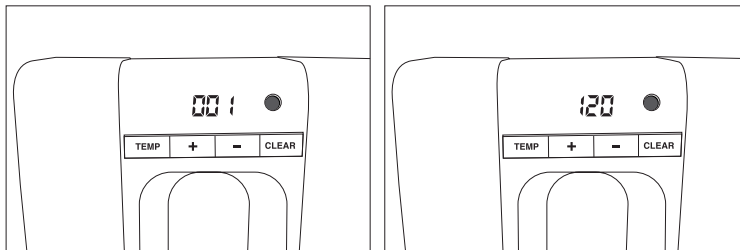
1. Handle
2. Strapping Position Adjustment Knob
3. Control Panel
4. Bundle Strapping Slot
5. Front Cover
6. Roll paper receptacle
7. Paper Guiders
8. Feed In / Feed Out paper buttons
9. Feed In / Out Paper Slot
10. Power Cable Connector
11. Power Switch



Before Starting Cont.

3.2 Control Panel Description

- 1. LED Display:** Is used to show the exact numbers of bundles have been strapped. Also show the temperature value during the temperature adjustment procedure.
- 2. Clear Button** Used to reset the counting of bundles to “0”
- 3. “TEMP” Temperature Button:** Pressing here the current temperature’s value will be shown on the LED display
- 4. + / - Buttons:**
 - Are used for setting up any specific number of bundles on the LED display.
 - Are used for setting up or readjust (increase or decrease) the strapping temperature value.



Before Starting Cont.

3.3 Display Description

Bundle Counting indicator: Shows the current quantity of bundle are being strapped.

Pressing “+” or “-“ keys the user can adjust the number conveniently

Pressing “CLEAR” can reset the current number to “0”

Temperature Indicator: Pressing “TEMP” key the current temperature value will be shown on the display. Pressing “+” or “-“ keys the user can adjust the temperature value conveniently.

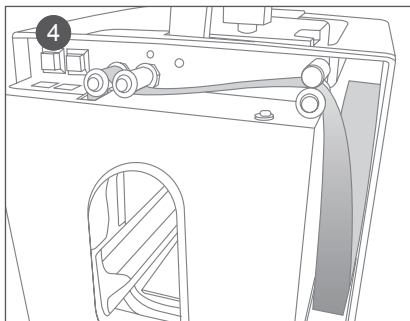
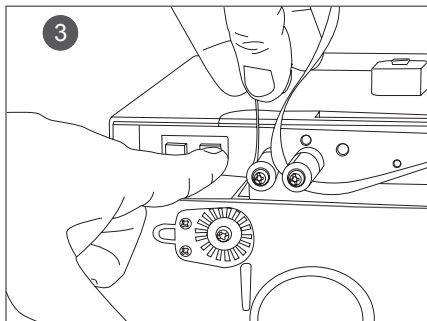
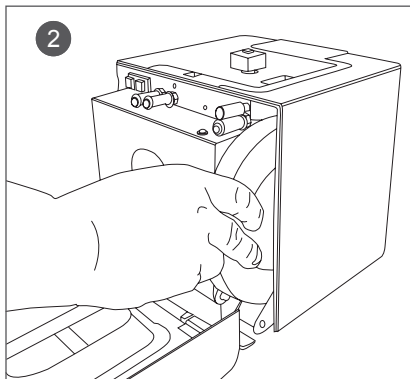
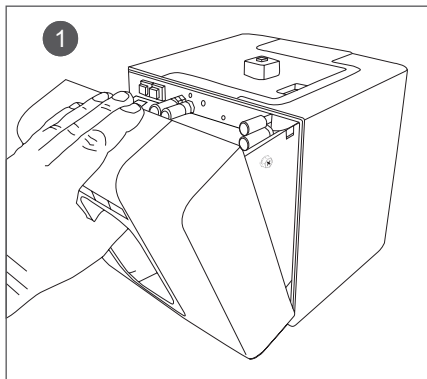
Error Codes: In case any functional error occurs, the unit will show an error code on the display. Is recommended the user refers to the Troubleshooting section to solve the problem.

4. Operation Procedures

4.1 Paper Roll Loading Procedure

- Make sure the unit is turned OFF.
- Open the unit's front cover pulling it toward you (fig 1).
- Push down the roll paper holder mechanism.
- Get the paper roll into the receptacle and push up the holder mechanism (fig 2).
- Pull out the paper roll tip and place it through the paper tape guiders
- Turn the unit ON.
- Pull the paper tip out until you have about 8" paper tape long. Hold the paper tip slightly and feed it into the Feed IN / OUT paper slot, and press the IN button (red one) simultaneously. The paper will be fed automatically into the strapping track. (fig 3 and fig 4)
- Close the unit's front cover.
- Take a bundle of bills and strap it in order to confirm the unit is working properly.

Operation Procedures Cont.



Operation Procedures Cont.

Note: Ensuring a correct paper tape positioning through the guiders is very important to obtain a good unit's performance, that why is highly recommended to DO IT EXACTLY as the figure shows, keeping facing down the sticky side.

- Cutting straight the paper tape tip edge (with scissor) before loading into the machine, will ensure a smooth and a free-errors loading.
- In case a paper jamming event take place, press the Feed OUT button and the paper tape will come out from the strapping track.
- Cut the paper tape if it is damaged and proceed to feed it again.

Operation Procedures Cont.

4.2 Paper Roll Replacement Warning

- In case during your strapping intent the paper band is not present, and the Power On indicator becomes red, that means the paper roll run out.
- Open the front cover, press the Feed OUT button and take out the remaining paper inside the strapping track.
- Take the plastic core out from the paper roll holder.
- Replace the new paper roll performing the previous (4.1) procedure.

4.3 Power Up

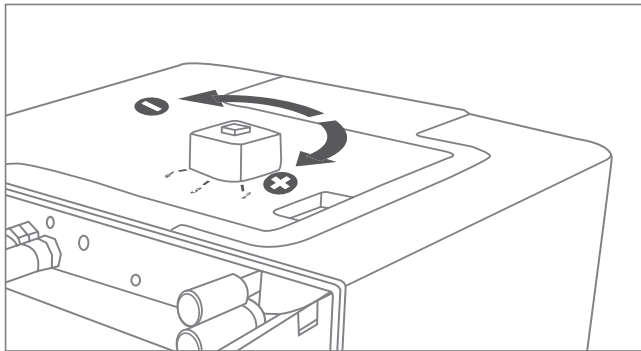
- Place the unit on a flat table, due to its considerable weight is recommended make sure it is placed properly.
- Connect the power cable into the jack at the rear of the unit and into the wall power outlet.
- Open the front cover and make sure the strapping paper roll is placed properly into the receptacle as well as is properly positioned through the guiders.
- Turn On the machine by its power switch.
- The unit will perform a self-check procedure and the power ON indicator turn GREEN and two beeps sound, indicating a successful self-check result.

Operation Procedures Cont.

- The LED display will show “0”.
- Adjust the strapping position knob according to the size of the banknote are going to be strapped and considering the paper band position you need.
- The unit is ready to start strapping.

4.4 Strapping Position Adjustment

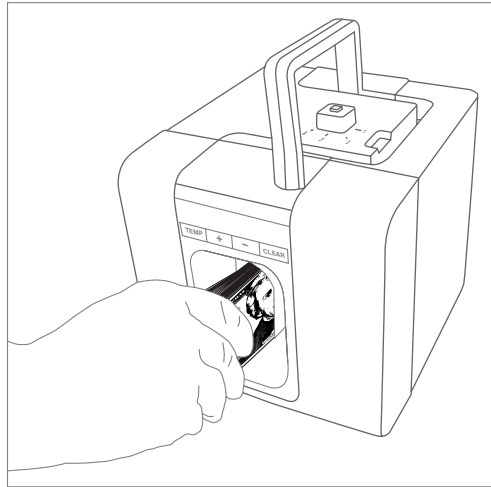
- The main goal of this procedure is allow the user to adjust the strapping position according to the banknote’s length is being strapped.
- Rotating the strapping position adjustment knob either clockwise or counter-clockwise, the bundle limiter inside the unit will move back and forward in order to reach the desired position.



Operation Procedures Cont.

4.5 Strapping Procedure

- Make sure the strapping position is set up as you need.
- Arrange the bills in an orderly manner and hold the bundle firmly with your hand.
- Feed the bundle completely into the strapping slot, until reach the bundle limiter inside the unit.
- The starting sensor will detect the bundle and the unit will start to strap it.
- The bundle counting number on the LED display will be increased in 1 unit.



5. Troubleshooting

5.1. Error Codes Report

In case the unit detects a mal-functioning event, an error code will be shown on the LED display.

ERROR CODE	POSSIBLE CAUSE	SOLUTION
E - 01	Paper Tape IN / OUT Encoder Sensor	Turn the unit OFF and restart it. If the problem still remain get contact w/ your technical service.
E - 02	Rotary Gear Encoder	
E - 03	Restoring Switch	
E - 04	Excess Bills into the Bundle (100 pcs max)	
E - 05	Temperature Sensor Error	
E - 06	Bundle Pressure Sensor	

Troubleshooting Cont.

5.2 Common Functioning Problems and Solutions

Machine Stop Working	1- Power cord is not properly connected	Verify the Power Cord connector at the back and the wall outlet
	2- The protection fuse blows out	Replace the damaged fuse by a new one
Paper Tape Jamming	1- Paper tape is jammed into the paper round track	Press the "Paper Out" button and take it out, in case were hard to do it, pull it out manually
	2- Piece of paper tape is stuck into the round track	Carefully remove it from the round track
	3- The paper tape roll is up side down	Reload the paper roll correctly
Strapping Problems	1- Paper tape roll is in bad condition (old, wed, overglued)	Put a new paper tape roll
	2- The paper tape is not placed correctly into the guiders	Reload the paper tape correctly
	3- The strapping temperature is too low or too high	Reset and set up the right temperature value
	4- Excess of bills	Make sure the maximum number of bills into the bundle is 100pcs

6. Maintenance of the Unit

In order to ensure a safety unit manipulation as well as to reduce the risk of electric shock and increase the unit's lifespan is highly recommended to follow these instructions.

- Make sure the wall power outlet have “ground” connection and the power cable must be the one provided with the unit.
- Always hold the bundle by its corner end in order to avoid put your hand into the strapping slot.
- Avoid use the unit into a dirty environment.
- The protection fuse specifications are 3A/110V

7. Specifications

- Strapping time: 2 sec/ bundle
- Warm up time: 0 sec
- Variable temperature range: 70 °C – 150 °C (120 °C Value recommended)
158 °F - 302 °F (248 °F)
- Strapping Tape Width: 20 mm / 0.75"
- Paper Tape Roll size: 0.75"(W) x 490'(L) / 20 mm(W) x 150 m (L)
- Power Source: AC 110 V/ 60 Hz or AC 220V / 50 Hz
- Power Consumption: Strapping Mode < 70 W
Stand By Mode < 10 W
- Unit Weight: 17.6 lbs / 8 Kg
- Dimensions: 8.25" x 9.5 " x 8.5 " (210 x 240 x 215) W x L x H

AB

AccuBANKER[®]
because your money counts **USA**

www.accubanker.com