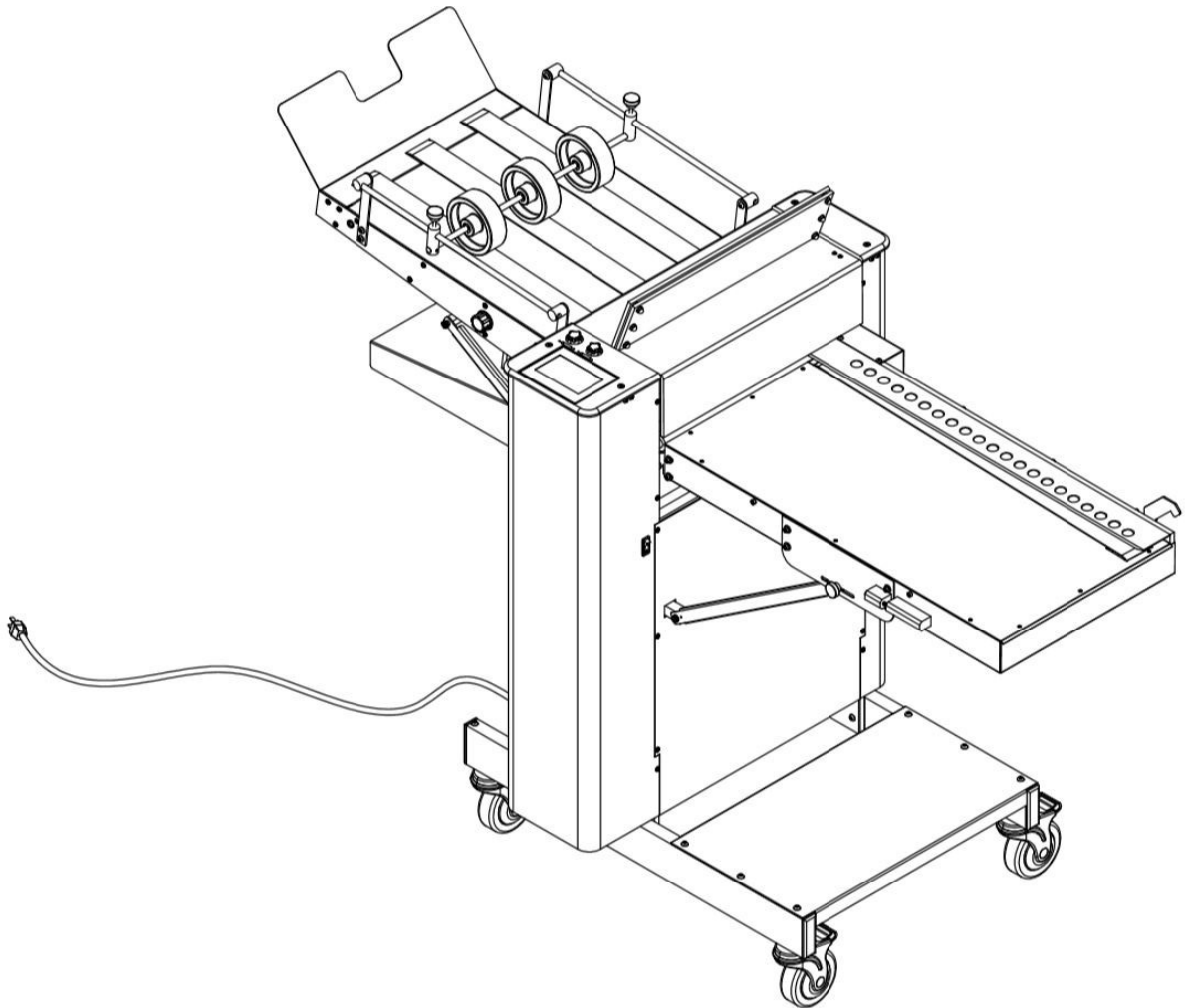




Parts List & Diagram

KF-200

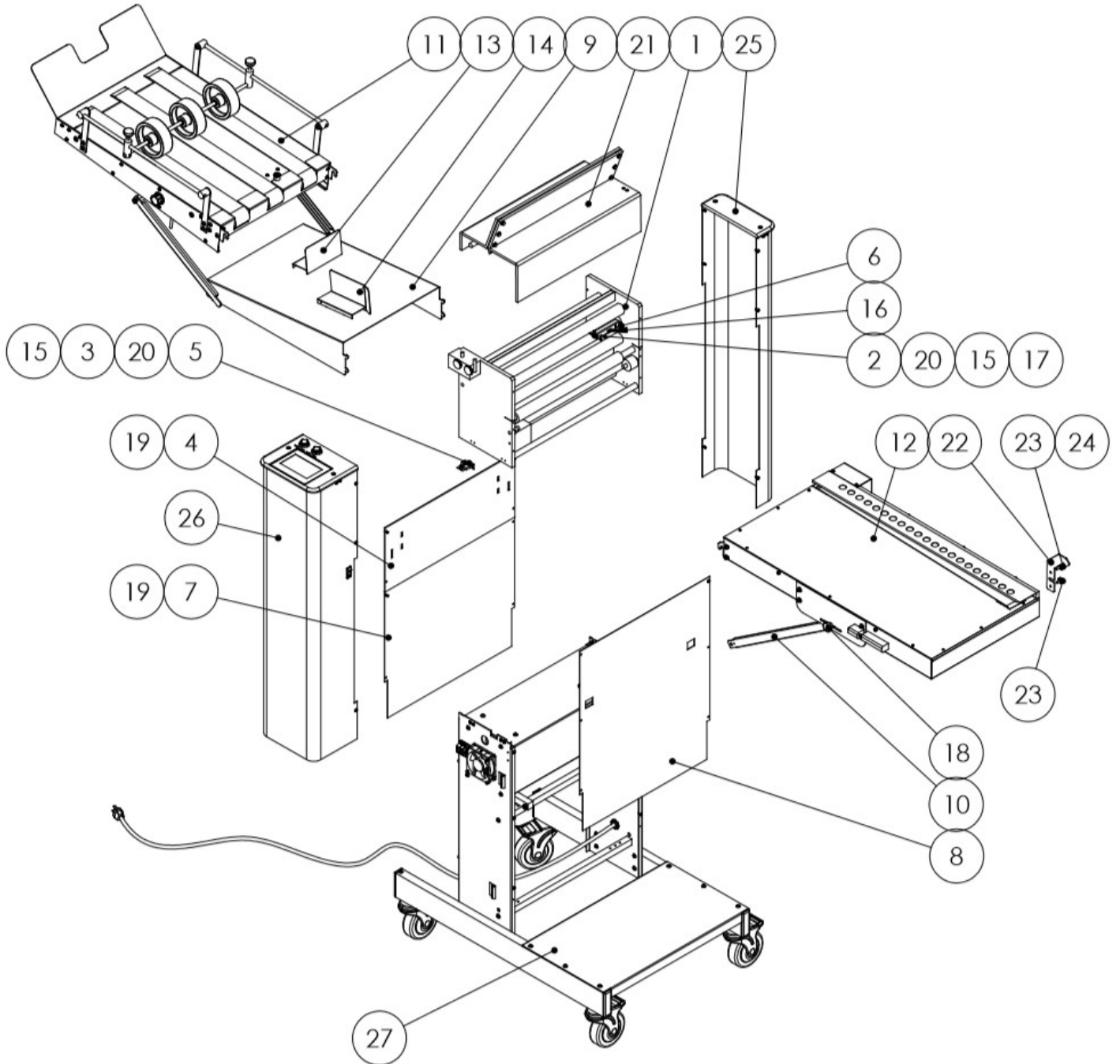


Martin Yale Industries, LLC.
251 Wedcor Avenue, Wabash, Indiana 46992
226600--563-0621 | Fax: 260-563
www.martinyale.com

KF-200 Parts Breakdown

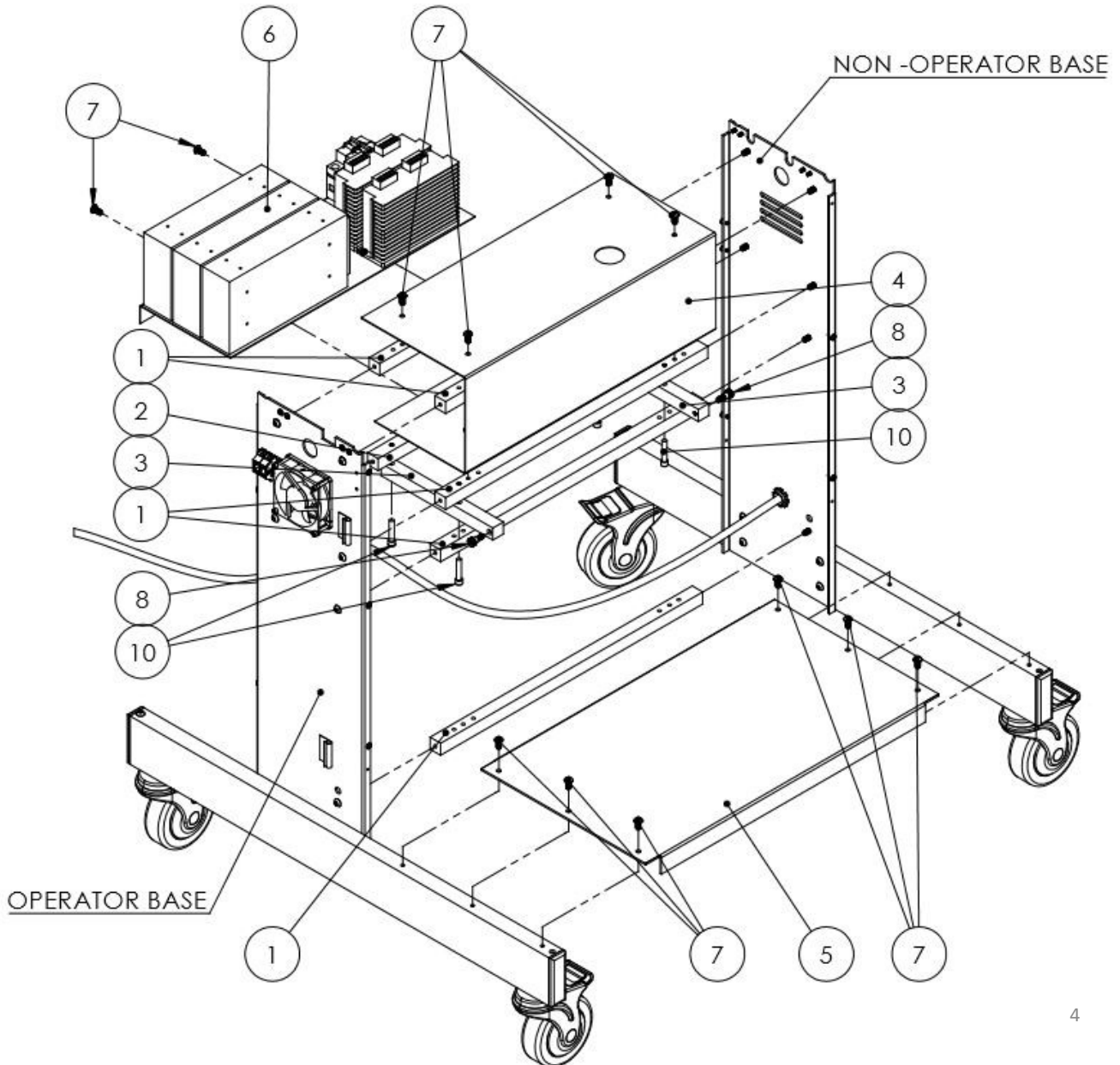
ITEM NO.	Part Number	DESCRIPTION	QTY.
1	M-OKF001	KNIFE FOLDER CHASSIS	1
2	M-S0E1300	SENSOR	1
3	M-S045702	PHOTOELECTRIC BEAM SENSOR	1
4	W-OKF2088	P/C ELECTRIC PANEL COVER	1
5	W-OKF2063	P/C SENSOR MOUNT BRACKET	1
6	W-OKF2087	B/O SENSOR BRACKET	1
7	W-OKF2090	Exit Cover	1
8	W-OKF2089	P/C ENTRANCE COVER	1
9	W-OKF2093	P/C BYPASS PANEL	1
10	W-OKF2059	P/C HEIGHT ADJUSTMENT ARM	2
11	W-AKF2069	ASY DELIVERY TABLE	1
12	W-AKF2062	ASY KF200 REG TABLE ASSEMBLY	1
13	W-AKF2094	ASY REAR PAPER STOP ASSEMBLY	1
14	W-AKF2095	ASY PAPER STOP NON OPERATOR	1
15	M-S007082	4-40 HEX NUT	4
16	M-S003141	M-S003141	1
17	M-S0H0600	TYE WRAP	1
18	M-S0H0825	KNOB KNURLED 1" DIA. 10-32 X 1" STUD	2
19	M-S0H1831	M4 8MM PAN HEAD SCREW	4
20	M-S0H1851	4-40 1/2 PHILLIPS	4
21	-	COVER	1
22	W-OKF2103	ADAPTER HOOK	1
23	M-S032045	#10 THUMB SCREW KNOB (SHEAR-LOC)	2
24		10-32X1/2 SOCKET HD	1
25	-	NON-OPERATOR COVER	1
26	-	OPERATOR COVER	1
27	-	BASE	1

KF-200 Parts Breakdown



Base Main

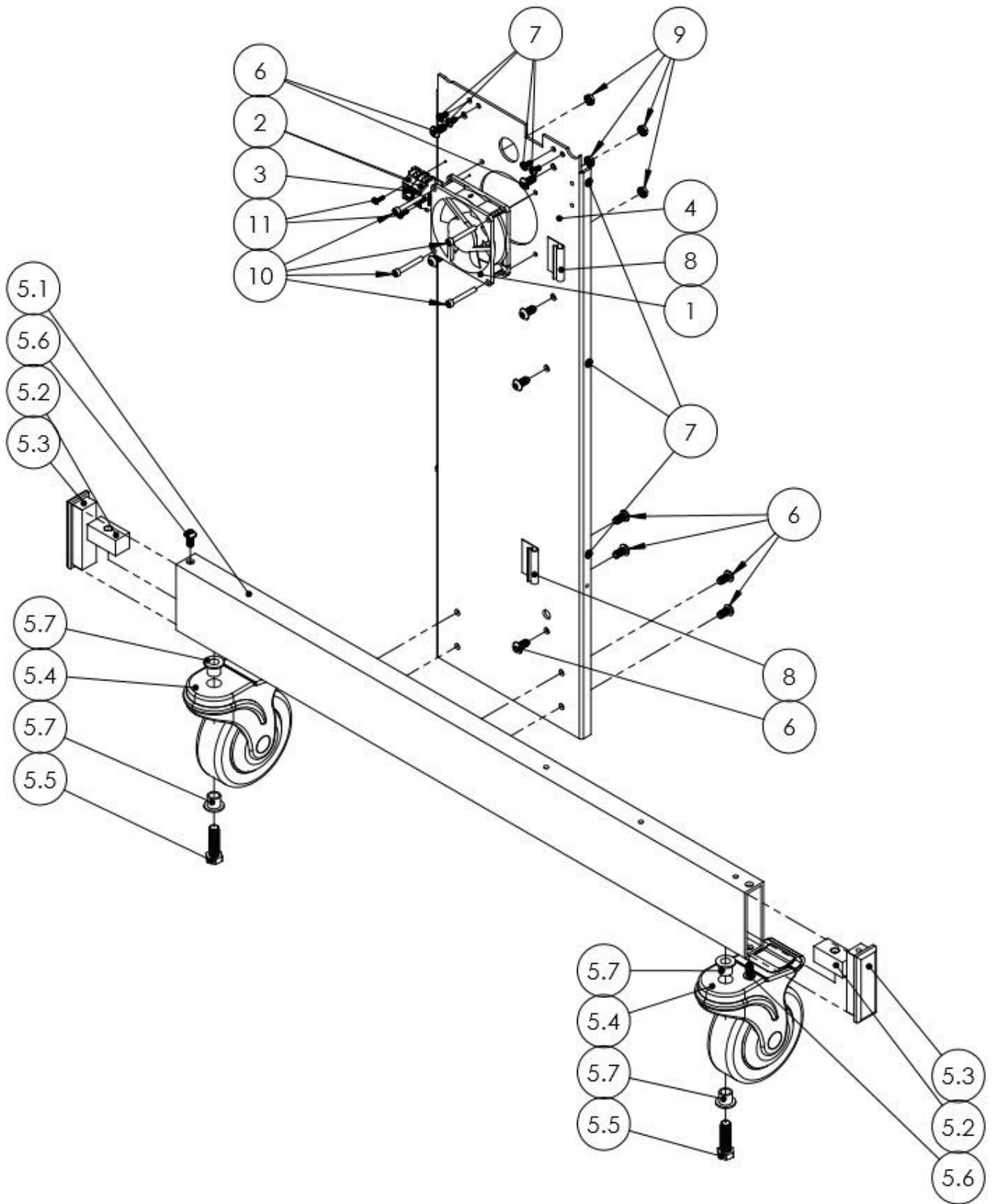
ITEM NO.	Part Number	DESCRIPTION	QTY.
1	W-OKF2034	SUPPORT BAR	5
2	W-OKF2097	SUPPORT BAR	1
3	W-OKF2060	FEEDER SUPPORT BAR	2
4	W-OKF2029	P/C ELECTRIC SLIDE	1
5	W-OKF2024	P/C PUMP PLATE	1
6	-	ELECTRICAL PANEL	1
7	M-S0H0285	SCREW 1/4-20X1/2 BHCS	34
8	M-S0H0389	1/4-20 X 5/16 X 1/4 SHOULDER SCREW	2
9	M-S0H0120	4-40 3/8 PN HEAD	2
10	M-S62000066	1/4-20X1 1/4" SHCS	4



Operator-Base

ITEM NO.	Part Number	DESCRIPTION	QTY.
1	M-SOE1339	FAN SUNON	1
2	M-SOE0837	WAGO	2
3	M-SOE0838	WAGO TOP	1
4	W-OKF2033	P/C UPRIGHT OPERATOR SIDE	1
5	W-AKF2102	ASY CASTER SUPPORT ASSEMBLY	1
5.1	W-OKF2020	CASTER SUPPORT RIGHT	1
5.2	W-OF2597	CNC CASTER MOUNT BLOCK	2
5.3	W-OF2183	P/C CAP-END SUPPORT FRAME	2
5.4	M-S0H1418	CASTER	2
5.5	M-S013119	3/8" BUSHING	2
5.6	M-S0H0285	SCREW 1/4-20X1/2 BHCS	2
5.7	M-S013119	3/8" BUSHING	4
6	M-S0H0285	SCREW 1/4-20X1/2 BHCS	10
7	M-S0H1831	M4 8MM PAN HEAD SCREW	9
8	M-S0H1513	CLIP	2
9	M-S007006	8-32 HEX (KEPS) NUT	4
10	M-S63751504	8-32 X 1.25 SHCS	4
11	M-S0H0120	4-40 3/8 PN HEAD	2

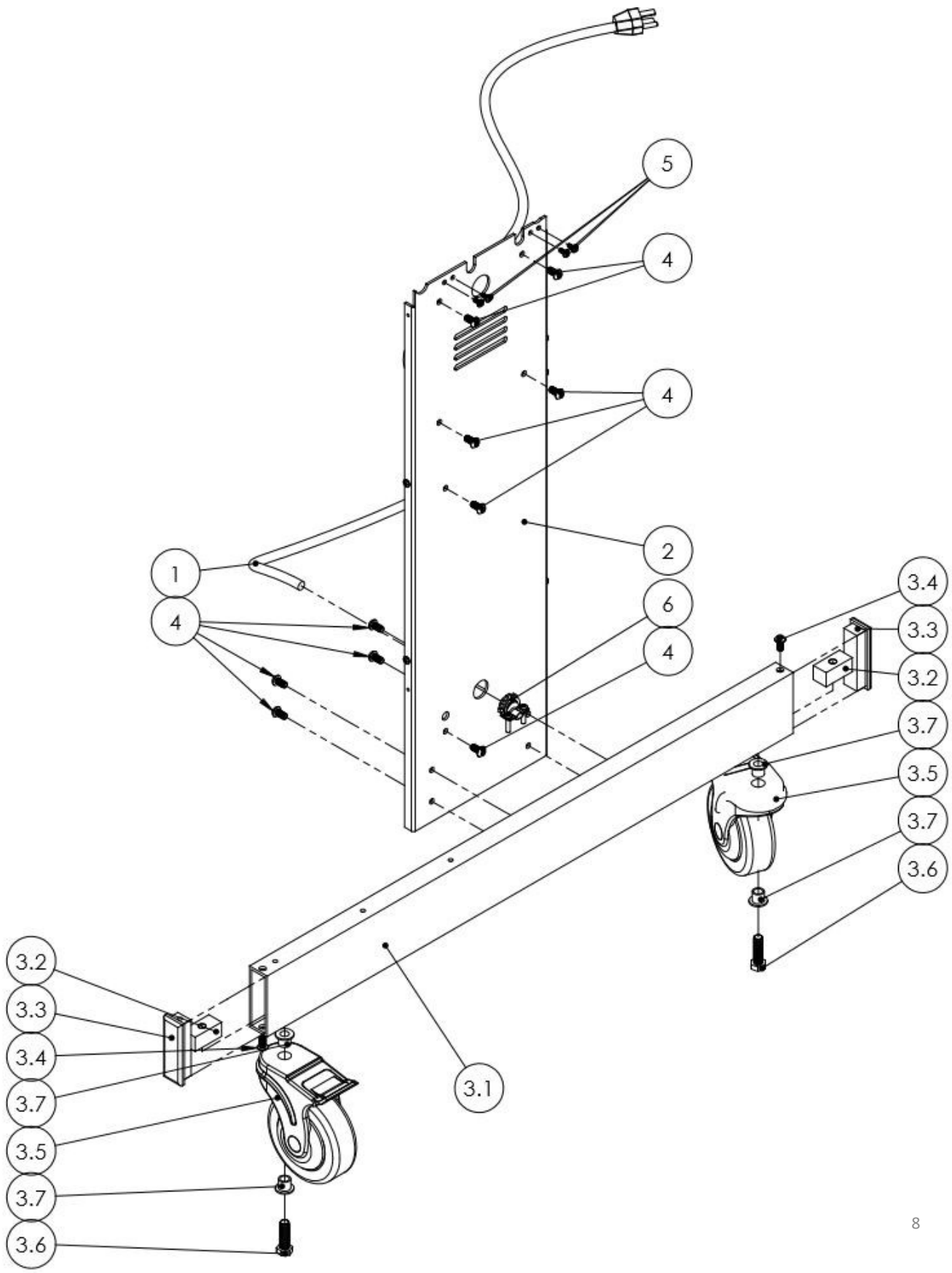
Operator-Base



Non-Operator Base

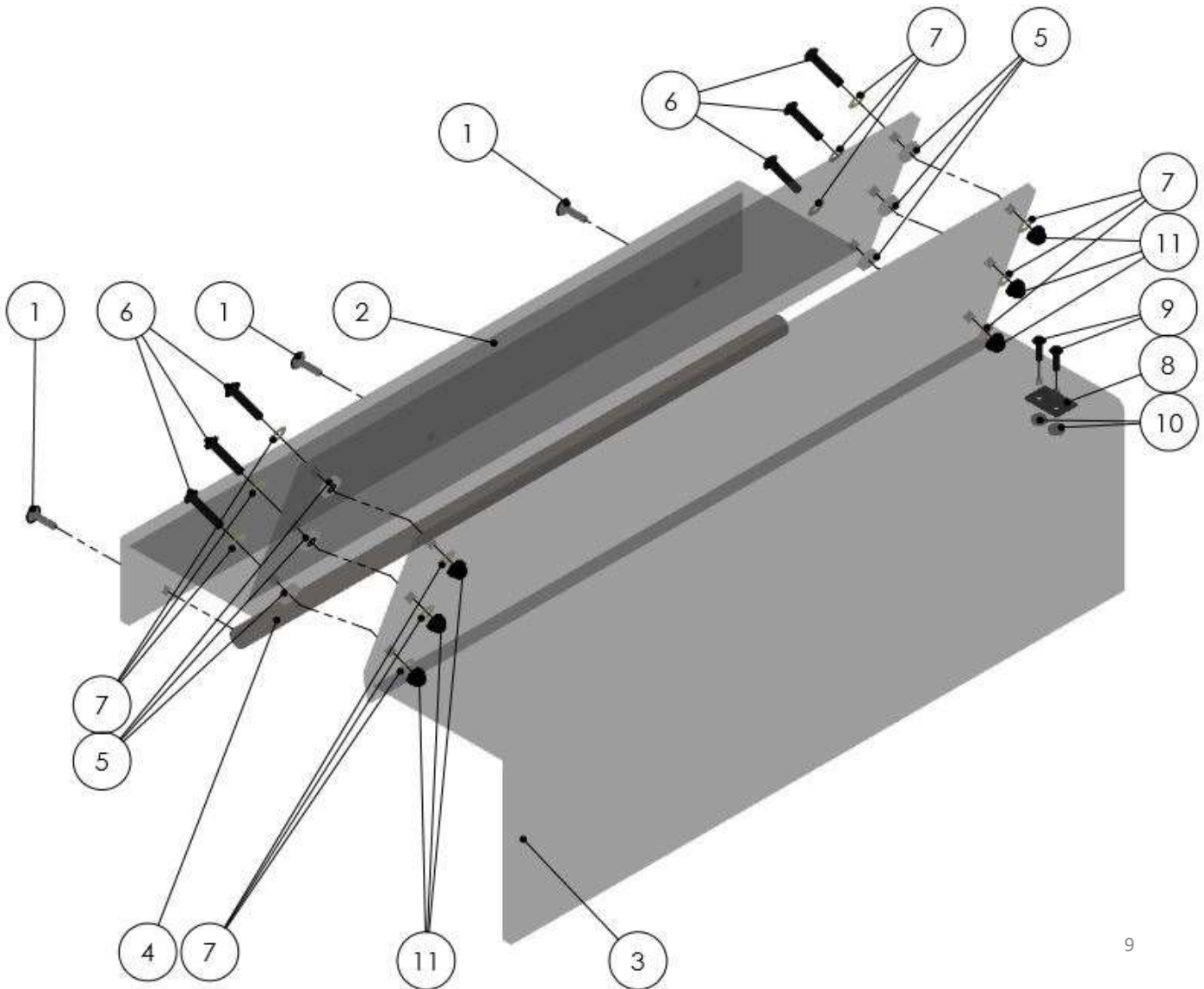
ITEM NO.	Part Number	DESCRIPTION	QTY.
1	M-S0E0982	POWER CORD	1
2	W-OKF2032	P/C UPRIGHT NON OPERATOR	1
3	W-AKF2101	P/C ADAPTER HOOK	1
3.1	W-OKF2023	CASTER SUPPORT NON OP	1
3.2	W-OF2597	CNC CASTER MOUNT BLOCK	2
3.3	W-OF2183	P/C CAP-END SUPPORT FRAME	2
3.4	M-S0H0285	SCREW 1/4-20X1/2 BHCS	2
3.5	M-S0H1418	CASTER	2
3.6	M-S013119	3/8" BUSHING	2
3.7	M-S013119	3/8" BUSHING	4
4	M-S0H0285	SCREW 1/4-20X1/2 BHCS	10
5	M-S0H1831	M4 8MM PAN HEAD SCREW	9
6	M-S0H0856	STRAIN RELIEF-STEEL	1

Non-Operator Base



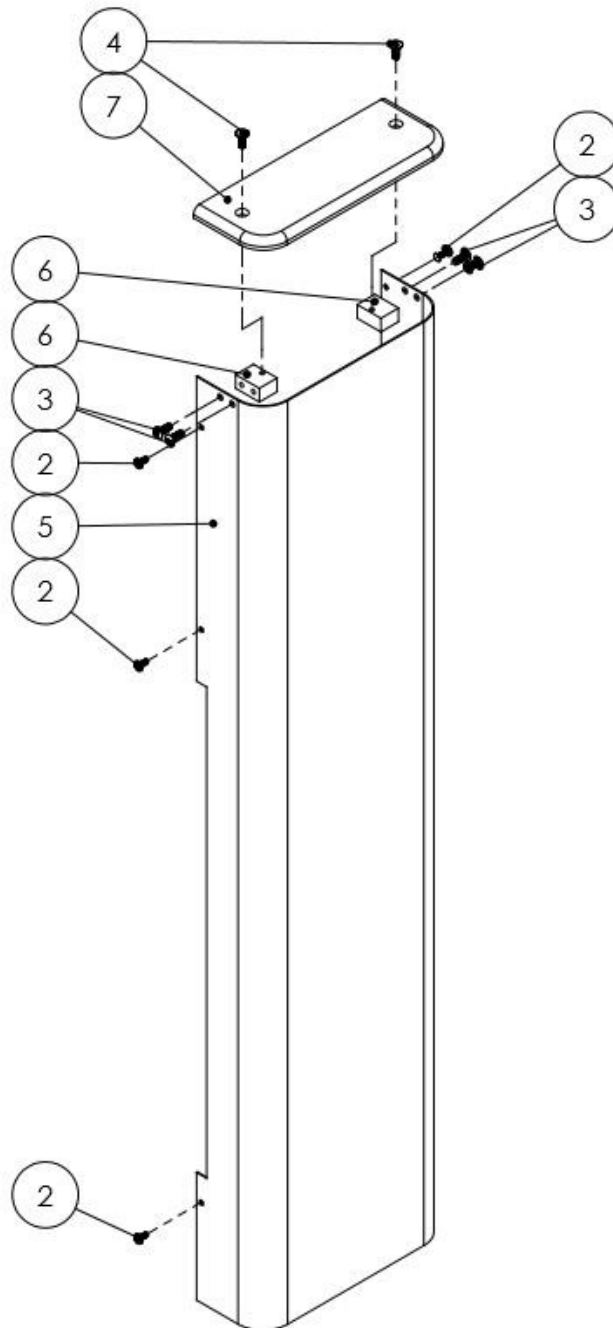
Cover

ITEM NO.	Part Number	DESCRIPTION	QTY.
1	M-S003142	M4 X 16MM FLANGED BHCS	3
2	M-OK2037	COVER EXIT	1
3	W-OK2038	COVER ENTRANCE	1
4	-	Pivot Rod	1
5	M-S0H0456	WASHER, FLAT .200 X .438 X .031 SS	6
6	M-S003135	10-32X0.875 BHCS	6
7	M-S0H0456	WASHER, FLAT .200 X .438 X .031 SS #10	12
8	W-OK2068	P/C SWITCH ACTUATOR	1
9	M-S007003	6-32X1/2 BUT HD SCRW	2
10	M-S007003	6-32, 5/16 HEX X 7/64 THICK, STEEL	2
11	M-S007033	10-32 HEX ACORN NUT	6



Non-Operator Cover

ITEM NO.	Part Number	DESCRIPTION	QTY.
1	-	NON-OPERATOR COVER	1
2	M-S0H1831	M4 8MM PAN HEAD SCREW	6
3	M-S0H0215	SCREW 10-32X1/2 BTN HD SOC	4
4	M-S0H1503	10-32 3/4 FLAT HEAD	2
5	W-OKF2025	P/C COVER NON OPERATOR SIDE	1
6	W-OKF2021	TOP FRAME MOUNT BLOCK	2
7	W-OKF2022	FRAME TOP NON OP	1



Operator Cover

ITEM NO.	Part Number	DESCRIPTION	QTY.
1	W-OK2035	FRAME TOP OPERATOR	1
2	W-OKF2021	TOP FRAME MOUNT BLOCK	2
3	W-OKF2098	SPLIT ACRYLIC COVER	2
4	M-S045703	LED STRIP, WHITE	1
5	M-S0E1307	OUTLET SCREW MOUNT	1
6	WRAOE1299	HMI TOUCHSCREEN	1
7	M-S0E0755	SWITCH ON/OFF-ROCKER (O/I)CE	1
8	W-OKF2027	P/C COVER OPERATOR SIDE	1
9	M-S0H0215	SCREW 10-32X1/2 BTN HD SOC	4
10	M-S0H1831	M4 8MM PAN HEAD SCREW	6
11	M-S0H0117	SCREW, 4-40 X 1/2" FHSC	2
12	M-S007082	4-40 HEX NUT	2
13	M-S001554	4-40 X 7/16 PAN HEAD PHILLIPS	4
14	M-S0H1503	10-32 3/4 FLAT HEAD	2

Operator Cover

