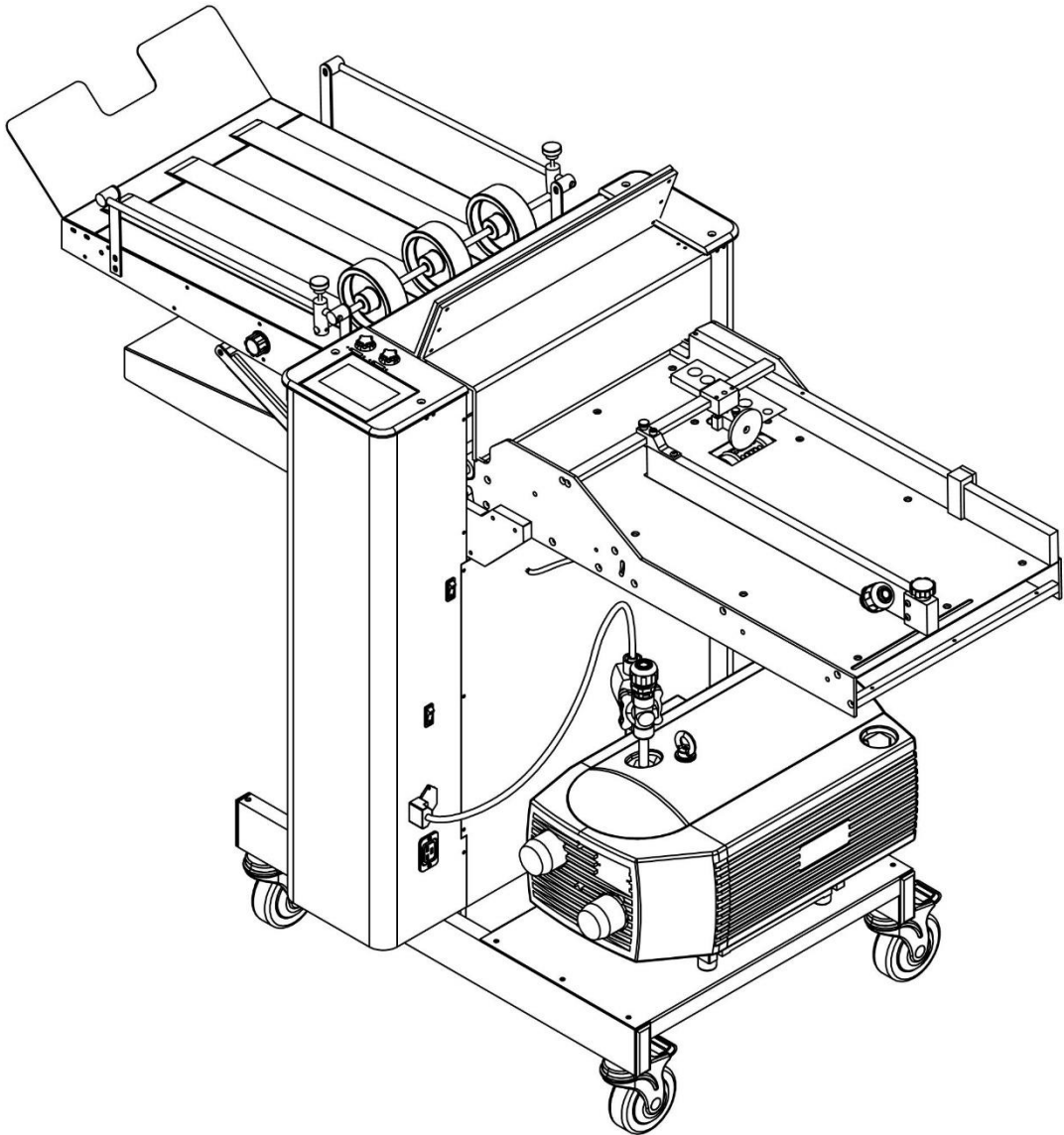


Parts List & Diagram

KF-250



KF-250 Parts Breakdown

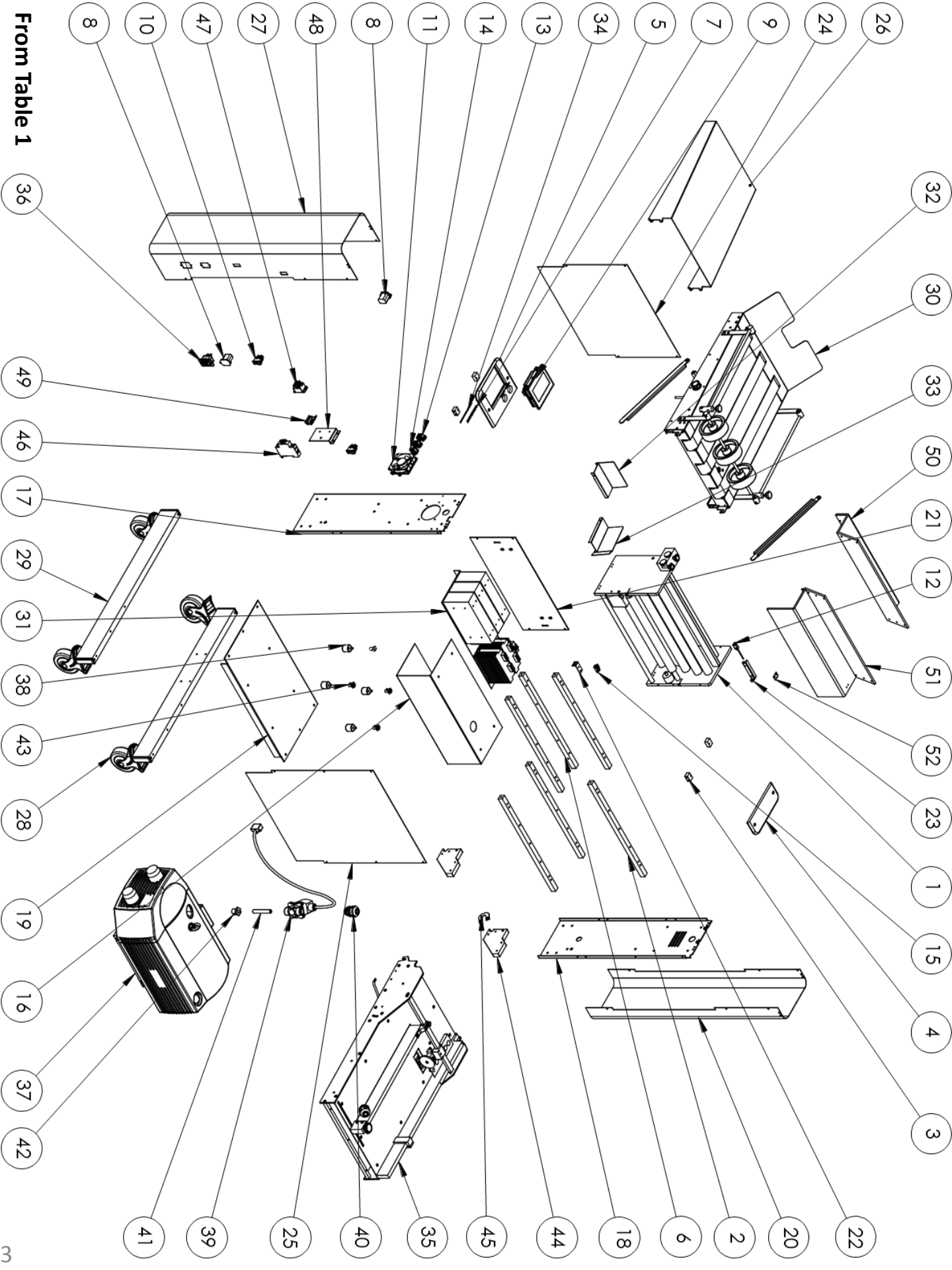
Table 1

ITEM	PART NUMBER	DESCRIPTION	QTY.
1	M-OKF001	KNIFE FOLDER CHASIS	1
2	W-OKF2034	SUPPORT BAR	5
3	W-OKF2021	TOP FRAME MOUNT BLOCK	4
4	W-OKF2022	FRAME TOP NON OP	1
5	W-OKF2035	FRAME TOP OPERATOR	1
6	W-OKF2097	SUPPORT BAR	1
7	W-OKF2098	SPLIT ACRYLIC COVER	2
8	M-S0E1307	OUTLET SCREW MOUNT 710W	2
9	M-S0E1299	HMI TOUCHSCREEN	1
10	M-S0E0755	SWITCH ON/OFF-ROCKER	2
11	M-S0E1339	FAN	1
12	M-S0E1300	Sensor	1
13	M-S0E0837	WAGO	2
14	M-S0E0838	WAGO TOP	1
15	M-S045702	PHOTOELECTRIC THROUGH BEAM SENSOR	1
16	W-OKF2029	ELECTRIC SLIDE	1
17	W-OKF2033	UPRIGHT OP	1
18	W-OKF2032	UPRIGHT NON OP	1
19	W-OKF2024	PUMP PLATE - FORM	1
20	W-BKF2025	COVER NON OP	1
21	W-OKF2088	P/C ELECTRIC PANEL COVER	1
22	W-OKF2063	SENSOR MOUNT BRACKET	1
23	W-OKF2087	B/O SENSOR BRACKET	1
24	W-OKF2090	Exit Cover	1
25	W-OKF2520	ENTRANCE COVER	1
26	W-OKF2093	P/C BYPASS PANEL	1
27	W-WKF2516	OP SIDE COVER	1
28	M-S0E1339	FAN	1
29	W-AKF2102	ASY CASTER SUPPORT ASSEMBLY	1
30	W-AKF2069	ASY DELIVERY TABLE	1
31	W-AKF2100	ASY ELECTRIC PANEL ASSEMBLY	1
32	W-AKF2094	REAR PAPER STOP ASSEMBLY	1
33	W-AKF2095	ASY PAPER STOP NON OPERATOR	1
34	M-S045703	LED STRIP, WHITE	1
35	W-AKF2518	KF250 REG TABLE ASSEMBLY	1
36	M-S045343	POWER OUTLET	1
37	M-S045430	VACUUM/PRESSURE PUMP	1
38	M-S0H0593	VIBRATION MT.,STUD,5/16X18	4
39	M-S0E1313	SOLENOID VALVE 24VDC	1
40	M-S0H1449	FTG-HEYCO-FLEX NYLON	1
41	M-S0H1705	THREADED CPVC NIPPLE 1/2 X 3"	1

KF-250 Parts Breakdown

Table 1 - Continued

ITEM	PART NUMBER	DESCRIPTION	QTY.
42	M-S0H1606	REDUCER THREAD PVC MALE	1
43	W-OF2707	HEXNUT CUSTOM PUMP MOUNT	4
44	W-OKF2519	LOCK BLOCK	2
45	W-OKF2521	SHAFT LOCK	1
46	M-S0E1336	CIRCUIT BREAKER 20 AMPS	1
47	M-S0E1303	Relay	1
48	W-OKF2517	RELAY MOUNT PANEL	1
49	W-OH1716	DIN RAIL	1
50	M-OKF2037	COVER EXIT	1
51	M-OKF2038	COVER ENTRANCE	1
52	W-OKF2068	P/C SWITCH ACTUATOR	1



From Table 1

Page Intentionally Left Blank

KF-250 Parts Breakdown

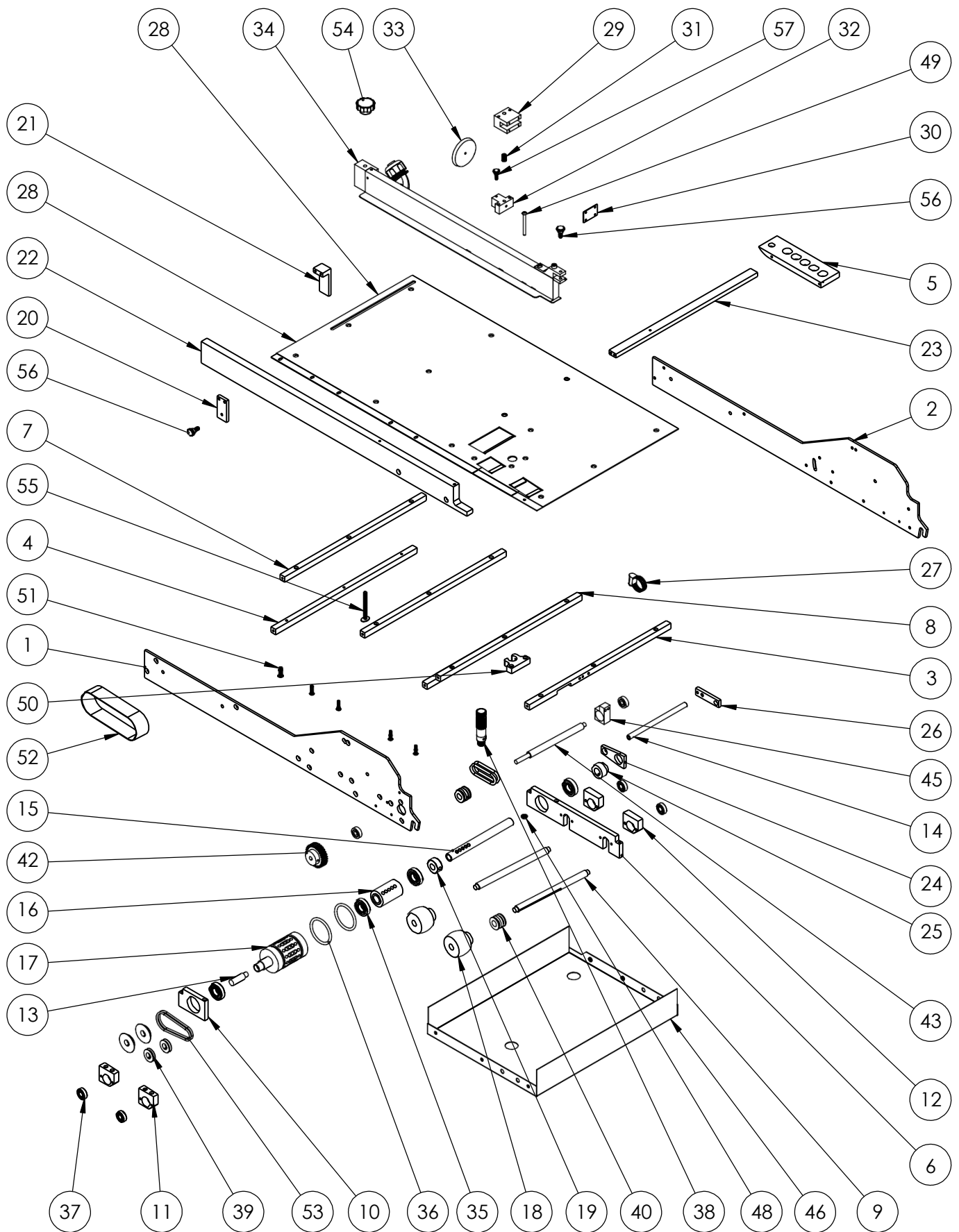
Table 2

ITEM	PART NUMBER	DESCRIPTION	QTY.
1	W-OKF2501	FRAME NON OPERATOR	1
2	W-OKF2502	FRAME OPERATOR	1
3	W-OKF2503	SUPPORT BAR ENTRANCE	1
4	W-NKF2506	SUPPORT BAR EXTENSION PLATE	1
5	W-OF2906	MARBLE RACK	1
6	W-OF2907	BEARING BLOCK VAC WHEEL AFT REG	1
7	W-OKF2505	SUPPORT BAR FEED PLATE	2
8	W-OKF2504	SUPPORT BAR	1
9	W-OF2908	BELT IDLE SHAFT	2
10	W-OF2913	BEARING BLOCK	1
11	W-OF2911	3-DEG BEARING BLOCK	2
12	W-OF2922	3-DEG BEARING BLOCK W/#10 THRU HOLES	2
13	W-OF2909	VAC WHEEL DRIVE SHAFT	1
14	W-OKF2509	VACUUM ADJUST SHAFT	1
15	W-OF2767	VACUUM WHEEL AIR INLET SHAFT	1
16	W-OF2768	VACUUM INLET HUB	1
17	W-OF2771	VACUUM WHEEL	1
18	W-OF2905	BELT HUB AFT REG	2
19	M-O095038	5/8" COLLAR,ZINC PLATED	1
20	W-OF2916	BACKSTOP LOCK BRACKET	1
21	W-OF2917	BACKSTOP BRACKET	1
22	W-OF2921	REGISTER GUIDE FIXED RAIL	1
23	W-NKF2510	UPPER CROSSBAR	1
24	W-OF2764	VACUUM ADJUST BRACKET	1
25	W-OF2763	VACUUM ADJUST BRACKET	1
26	W-OF2765	VACUUM ADJUST LOCK BRACKET	1
27	M-S0H1470	CLAMP HOSE - 1/2" - 29/32	1
28	W-OKF2508	FEED PLATE	1
29	W-OF2781	PAPER CALIPER MAIN RAISE LOWER	1
30	W-OFS664	PAPER CALIPER ADJUST LOCK	1
31	M-S0H1767	SPRING, COMPRESSION - (LC 049E 02)	1
32	W-OF2779	PAPER CALIPER ADJUST DISK MOUNT	1
33	W-OF2780	PAPER CALIPER DISK	1
34	W-ASACC0502	FEED RAIL - ASSY - RIGHT	1
35	M-S0H1763	ROLLER BEARING, .625 ID. X 1.375 OD.	4
36	M-S0H1762	O-RING	2
37	M-S0H0669	.375 X .875 BEARING	4
38	M-S0E1260	SENSOR PROX	1
39	W-OF2797	MOTOR PULLEY	2
40	W-OF3068	FEED TABLE DRIVE PULLEY	2
41	W-OF2812	PULLEY, 3-DEG	2
42	M-OKF2039	GEAR	1
43	W-OKF2512	DRIVE SHAFT GEAR	1

KF-250 Parts Breakdown

Table 2 - Continued

ITEM	PART NUMBER	DESCRIPTION	QTY.
44	M-S020825	SELF ALIGNING BEARING	2
45	W-OKF2513	BEARING BLOCK	1
46	W-OKF2515	BOTTOM COVER	1
47	W-OKF2507	SUPPORT BAR NO HOLES	1
48	M-S007008	10-32 KEPS NUT	1
49	M-S0H1834	SCREW, 10-32 X 2-1/2" BUTTON HEAD	1
50	W-OF2923	BANNER SENSOR MOUNT BRACKET	1
51	M-S0H0215	SCREW 10-32X1/2 BHSC	5
52	M-S0H1819	BELT, BLUE	1
53	M-S0H1774	O-RING	2
54	M-S0H0830	KNOB KNURLED, 1/4-20 INSERT	1
55	M-S006045	1/4-20 X 2-1/2" T-BOLT	1
56	M-S0H0305	SCREW, 10-32 X 1/2" KNURLED PLASTIC KNOB BLK	2
57	M-S005024	10-32 THREAD X 1/2" LONG NYLON THUMB SCREW WITH SHOULDER	1



From Table 2

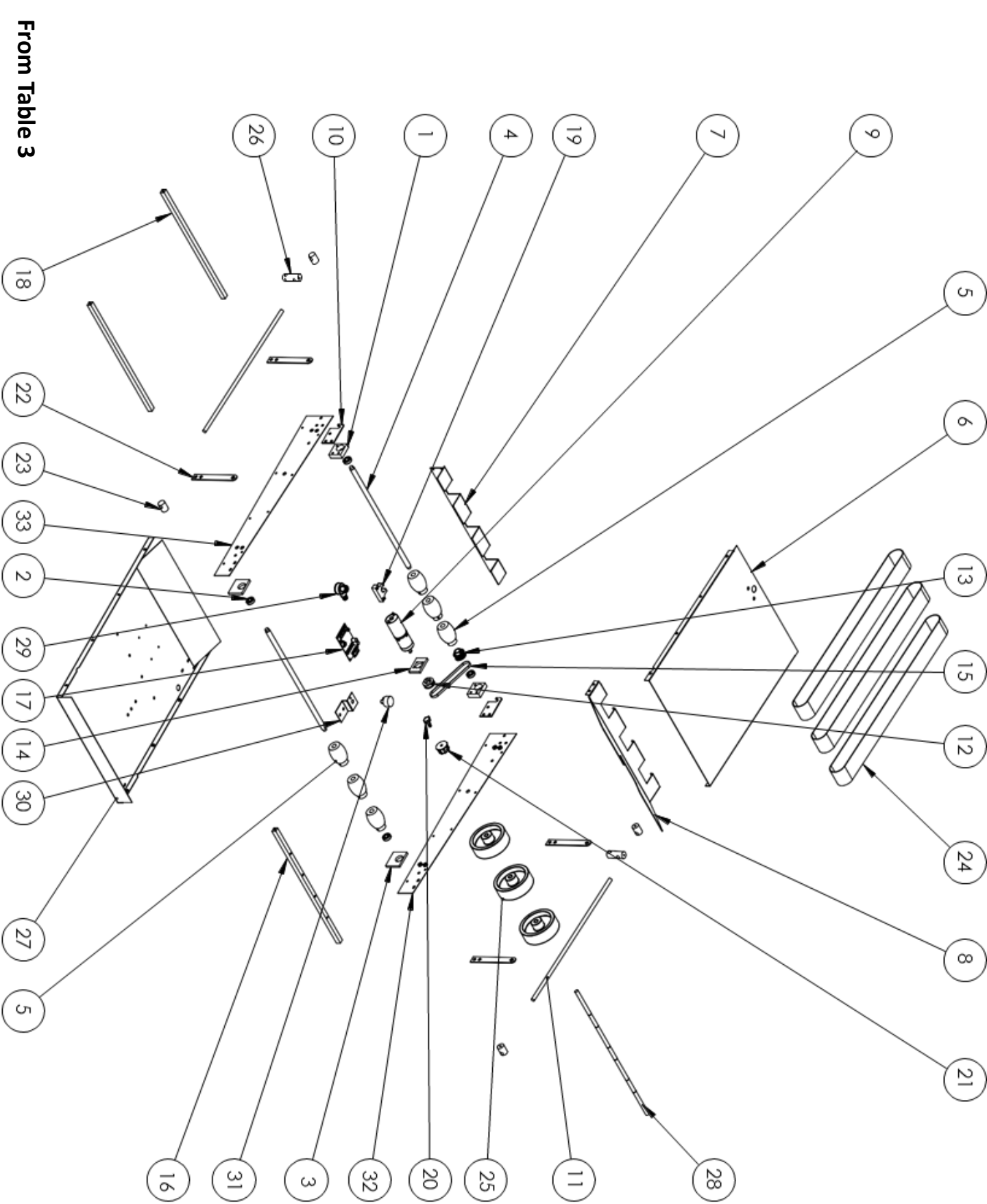
Page Intentionally Left Blank

KF250 REG TABLE ASSEMBLY

W-AKF2518

Table 3

ITEM	PART NUMBER	DESCRIPTION	QTY.
1	W-OKF2070	BEARING BLOCK	2
2	M-S0H0669	BEARING, ROLLER .375ID X .875OD X .280W. R6ZZ	4
3	W-OKF2073	DELIVERY BEARING BLOCK - SMALL	2
4	W-OKF2074	CROSS SHAFT	2
5	W-OF2192	CNC HUB BELT DRIVE	6
6	W-OKF2084	PEM TOP PANEL	1
7	W-OKF2082	P/C END CAP ENTRANCE	1
8	W-OKF2081	PEM END CAP	1
9	M-S021091	24VDC GEARMOTOR	1
10	W-OKF2085	B/O MOUNT ARM	2
11	W-OKF2092	RAIL SHAFT	2
12	W-O22176	40T MXL PULLEY 8MM BORE	1
13	M-S0H1828	PULLEY TIMING 40 MXL	1
14	W-OKF2071	DELIVERY MOTOR MOUNT	1
15	M-S025397	155MXL025 TIMING BELT	1
16	W-OKF2075	CROSS SUPPORT LOWER	1
17	M-S045698	24DC MOTOR SPEED CONTROL	1
18	W-OKF2072	CROSS SUPPORT	2
19	W-OKF2076	SENSOR MOUNT	1
20	M-S0E1231	CONTROLLER POT FOR MINARIK	1
21	M-S0H0845	KNOB FOR ECCENTRIC	1
22	W-OKF2083	B/O WHEEL RAIL SUPPORT	4
23	W-OKF2077	SHAFT MOUNT BLOCK	4
24	M-S0H1517	BELT ENDLESS (BLUE) 2" x 48"	3
25	W-AKF2099	NYLON WHEEL WITH BUSHING ASSEMBLY	3
26	W-OKF2079	WHEEL ADJUST MOUNT BLOCK	2
27	W-OKF2080	BOTTOM BASE	1
28	W-OKF2078	RAIL SHAFT	1
29	M-S045700	RIGHT ANGLE REFLECTIVE SENSOR	1
30	W-OKF2096	P/C POTENT BRACKET	1
31	M-S045701	25K POT, 2W, LOCKING BUSHING, SINGLE TURN	1
32	W-OKF2091	SIDE PANEL OPERATOR SIDE	1
33	W-OKF2104	SIDE PANEL NON OP	1



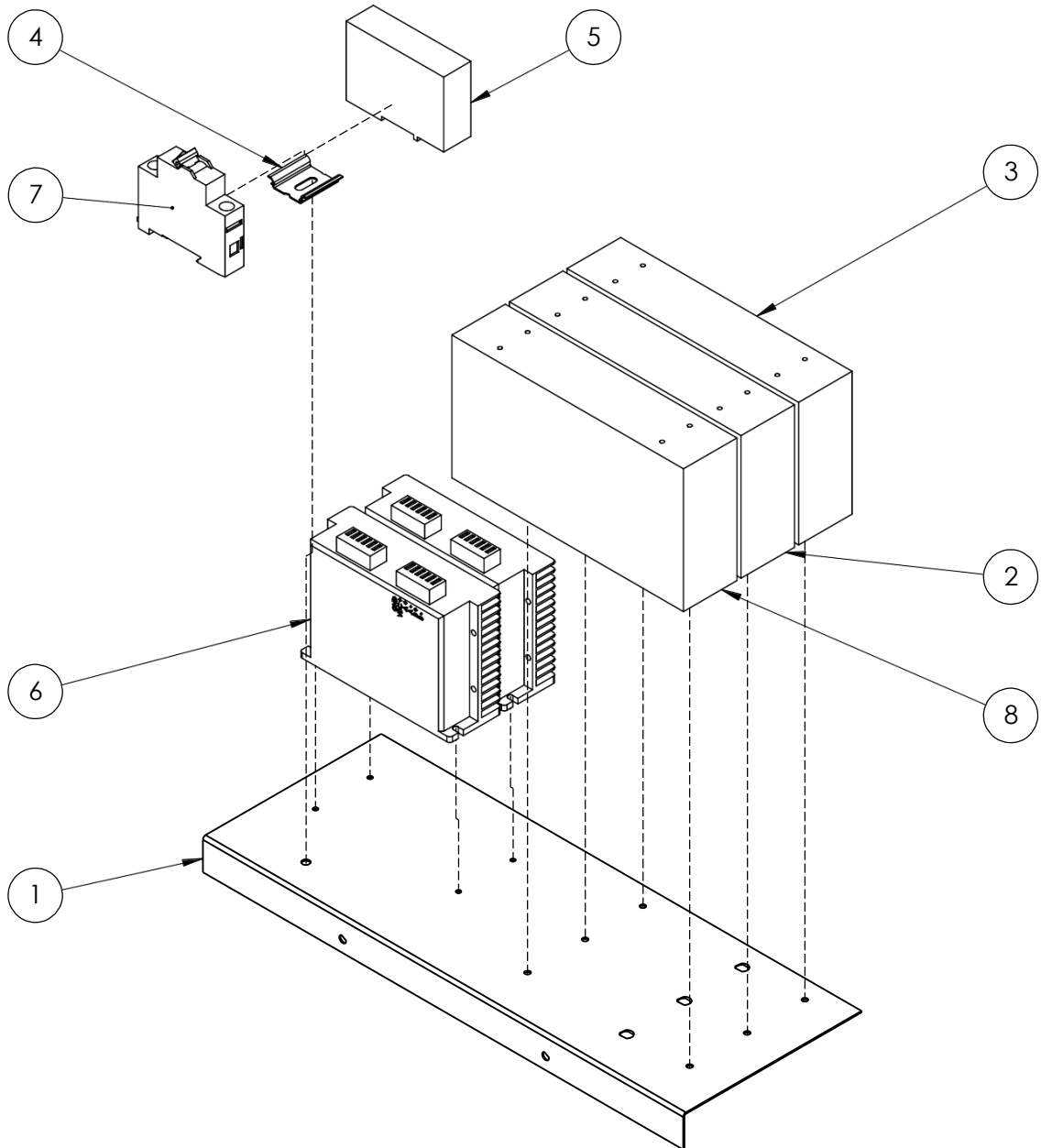
From Table 3

ELECTRIC PANEL ASSEMBLY

W-AKF2100

Table 4

ITEM	PART NUMBER	DESCRIPTION	QTY.
1	W-OKF2030	ELECTRIC PANEL	1
2	M-S0E1323	48 VOLT POWER SUPPLY	1
3	M-S045695	60 VOLT POWER SUPPLY	1
4	W-OHF1721	DIN RAIL	1
5	M-S0E1304	PLC	1
6	M-S0E1321	STEPPER MOTOR DRIVER	2
7	M-S0E1335	CIRCUIT BREAKER 5 AMPS	1
8	M-S0E1324	24 VOLT POWER SUPPLY	1

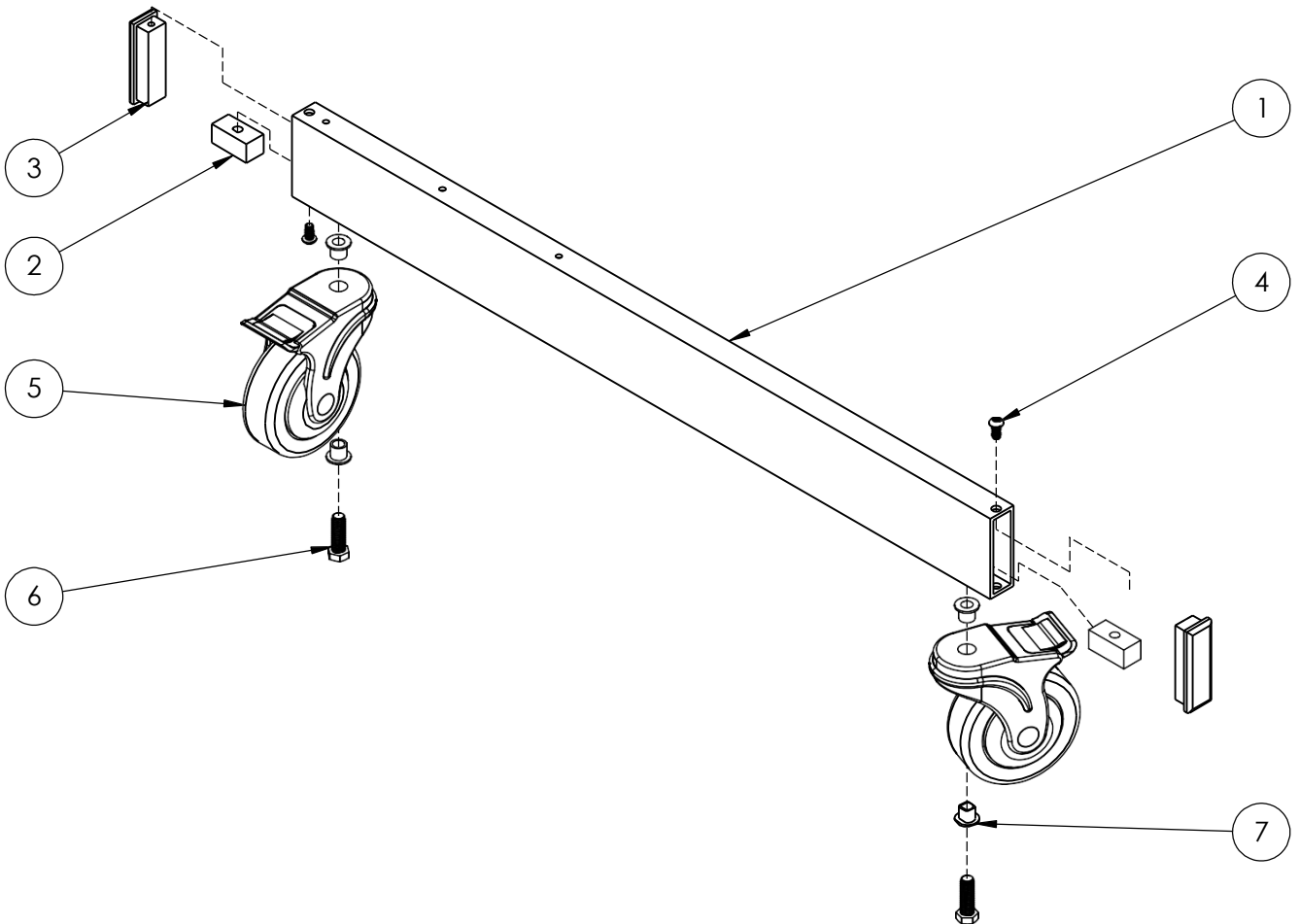


CASTER SUPPORT NON OPERATOR

W-AKF2101

Table 5

ITEM	PART NUMBER	DESCRIPTION	QTY
1	W-OKF2023	CASTER SUPPORT NON OP	1
2	W-OF2597	CASTER MOUNT BLOCK	2
3	W-OF2183	CAP-END SUPPORT FRAME	2
4	M-S0H0285	SCREW 1/4-20X1/2 BHCS SS 18-8	2
5	M-S0H1418	CASTER	2
6	M-S0H1633	BOLT, 3/8-16 X 1-1/4" HEX	2
7	M-S013119	ROLLER SHAFT BUSHING	4

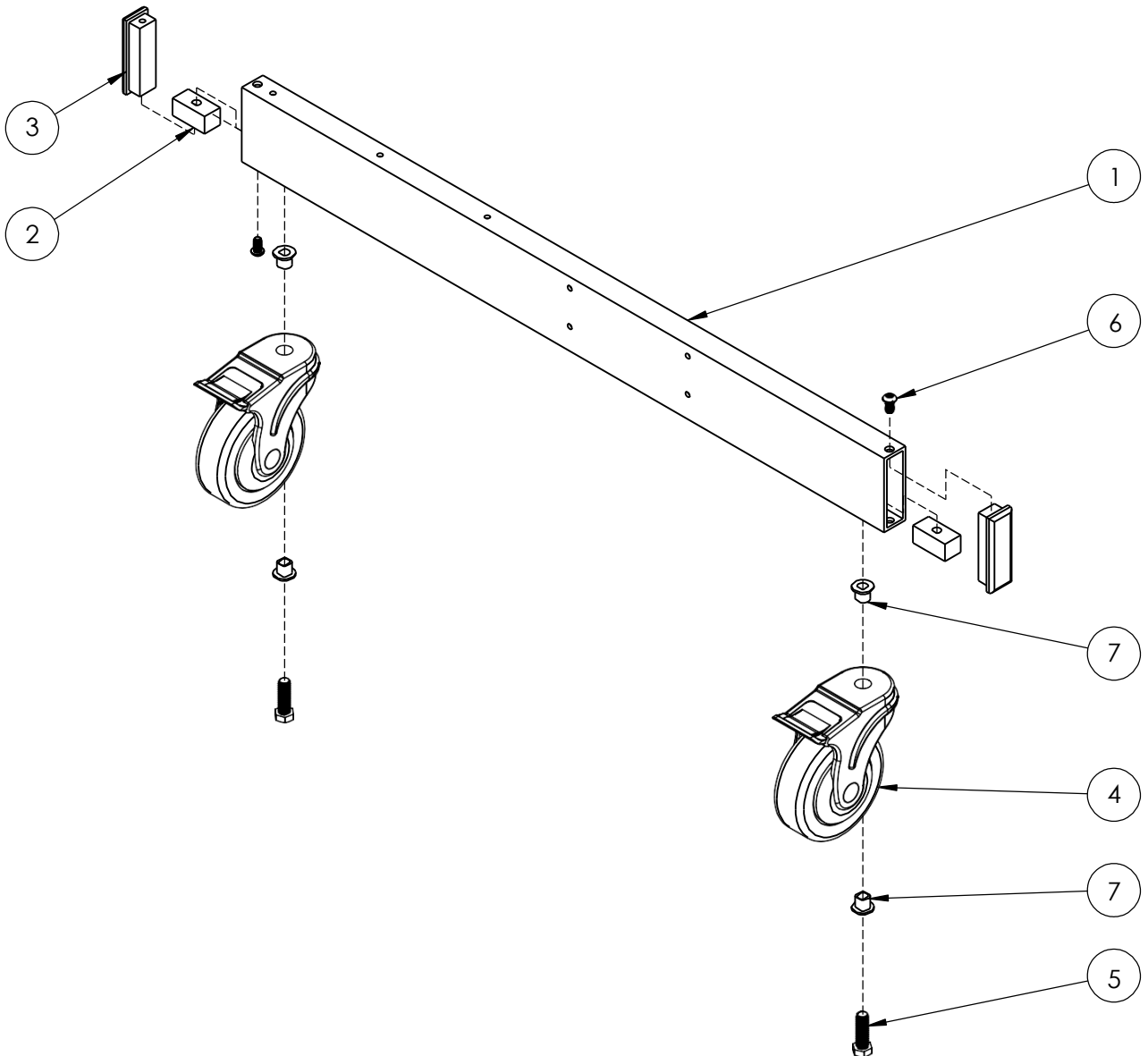


CASTER SUPPORT ASSEMBLY

W-AKF2102

Table 6

ITEM	PART NUMBER	DESCRIPTION	QTY
1	W-OKF2020	CASTER SUPPORT RIGHT	1
2	W-OF2597	CASTER MOUNT BLOCK	2
3	W-OF2183	CAP-END SUPPORT FRAME	2
4	M-S0H1418	CASTER	2
5	M-S0H1633	BOLT, 3/8-16 X 1-1/4" HEX	2
6	M-S0H0285	SCREW 1/4-20X1/2 BHCS SS 18-8	2
7	M-S013119	ROLLER SHAFT BUSHING	4



Page Intentionally Left Blank



Martin Yale™

Martin Yale Industries, LLC.
251 Wedcor Avenue, Wabash, Indiana 46992
22800-563-0621 | Fax: 260-563-4575
www.martinyale.com